



## Self-contained ice maker - Pebble system Daily production up to 96 kg

Hotel	████████████████████
Restaurant	████████████████████
Fast food	████████████████████
Bar	████████████████████
Disco	████████████████████
Fish market	████████████████████
Supermarket	████████████████████
Medical & SPA	████████████████████
Industry	████████████████████

### ► Position n°



### ► Features & Plus

- Pebble ice - 91% dry
- 1l (water) - 1kg (ice) - only Air cooled
- AISI 304 SS Scotch Brite finish
- Tropical class +43°C
- Adjustable Stainless Steel feet
- Removable and cleanable air filter
- AISI 304 SS evaporator
- Air or water cooling system
- Easy cleanable internal rounded surfaces
- HCFC-Free insulated storage
- Dust-proof water basin
- RoHS Free
- Disappearing insulated door
- Electromechanical operation
- ON-OFF rocker switch
- Automatic water charge
- Standard and special voltages



AISI 304 SS Scotch Brite finish



Removable and cleanable air filter



AISI 304 SS evaporator



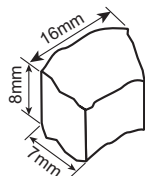
Dust-proof water basin



Disappearing insulated door

### ► Available pebble size

drawing for reference only



### ► Prod. 24h

Air temp.	Water temp.		kg	lbs	
	10° C	50° F			7° C
10° C	50° F	7° C	45° F	96	212
21° C	70° F	15° C	60° F	85	187

**2 Years Warranty**  
subject to limitations

### ► Certifications available for this model

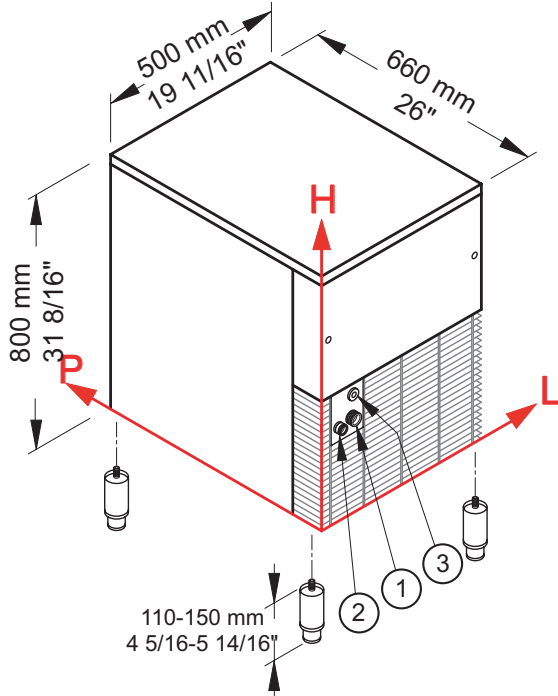




Ice Pebbles

**TB 853**

**Self-contained ice maker - Pebble system**  
Daily production up to 96 kg

**► Working conditions**

- Location: **Indoor**

	Min	Max
Ambient temperature	+10° C / +50° F	+43° C / 110° F
Water temperature	+3° C / +37° F	+32° C / +90° F
Voltage	-10%	+10%
Water inlet pressure	1bar (14 psi)	6bar (84 psi)

**► Performances**

	Air temperature	Water temperature	Water temperature					
			7° C	45° F	15° C	60° F	21° C	70° F
	10° C	96 kg						
	50° F	212 lbs						
	21° C		85 kg					
	70° F			187 lbs				
	32° C				71 kg			
	90° F					157 lbs		

**► Connections**

All measures are referred to the rear bottom-left corner (L-H-Ø)

- ① Water in.: 99 mm / 3 14/16" - 158 mm / 6 4/16" - 3/4"      ② Water out.: 48 mm / 1 14/16" - 151 mm / 5 15/16" - 24 mm / 15/16"
- ③ Electrical connections: 87 mm / 3 7/16" - 230 mm / 9 1/16"

**► Technical information**

Production in 24h	85 kg / 187 lbs	Water consumption	A: 1 l/kg - 12,0 gal/100 lbs
Store capacity, up to	30 kg / 66 lbs		W: 6,3 l/kg - 75,5 gal/100 lbs
Cooling system	A - W	Sizes (L-P-H mm)	500 - 660 - 800
Approximate pebble size	8 x 16 x 7	(L-P-H in)	19 11/16 - 26 - 31 8/16
Refrigerant	R404A - R452A	Sizes with pack (L-P-H mm)	550 - 720 - 990
Standard voltage	220-240 V ~ 50 Hz	(L-P-H in)	21 10/16 - 28 6/16 - 39
Average power consumption	550 W	Net weight	67 kg / 148 lbs
Fuse	10 A	Gross weight	76 kg / 168 lbs
Finish	AISI 304 stainless steel, scotch brite		

All the technical information must be considered at the following conditions:  
 Sizes without feet  
 Ambient temperature +21° C  
 Water temperature +15° C  
 Average power consumption at +43° C (standard voltage)  
 Refrigerant R404A

Models and specifications are subject to change without notice

Rev. 01 - Issued May 2018



[www.bremaice.it](http://www.bremaice.it)  
info@bremaice.it

