



Self-contained ice maker - Sprayer system Daily production up to 98 kg

Hotel	████████████████████
Restaurant	████████████████████
Fast food	████████████████████
Bar	████████████████████
Disco	████████████████████
Fish market	████████████████████
Supermarket	████████████████████
Medical & SPA	████████████████████
Industry	████████████████████

► Position n°



► Features & Plus

- Compact and crystal cube
- AISI 304 SS Scotch Brite finish
- Tropical class +43°C
- Adjustable Stainless Steel feet
- Removable and cleanable air filter
- Air or water cooling system
- Easy cleanable internal rounded surfaces
- HCFC-Free insulated storage
- RoHS Free
- Disappearing insulated door
- Electromechanical operation
- ON-OFF rocker switch
- Standard and special voltages



AISI 304 SS Scotch Brite finish



Adjustable Stainless Steel feet

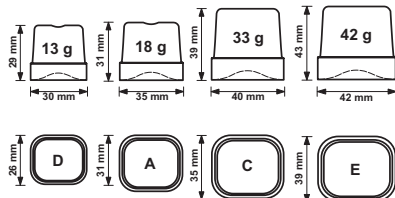


Removable and cleanable air filter



Disappearing insulated door

► Available ice cube size



► Prod. 24h

Air temp.	Water temp.	kg	lbs		
		10° C	50° F	7° C	45° F
21° C	70° F	15° C	60° F	95	209

2 Years Warranty
subject to limitations

► Certifications available for this model

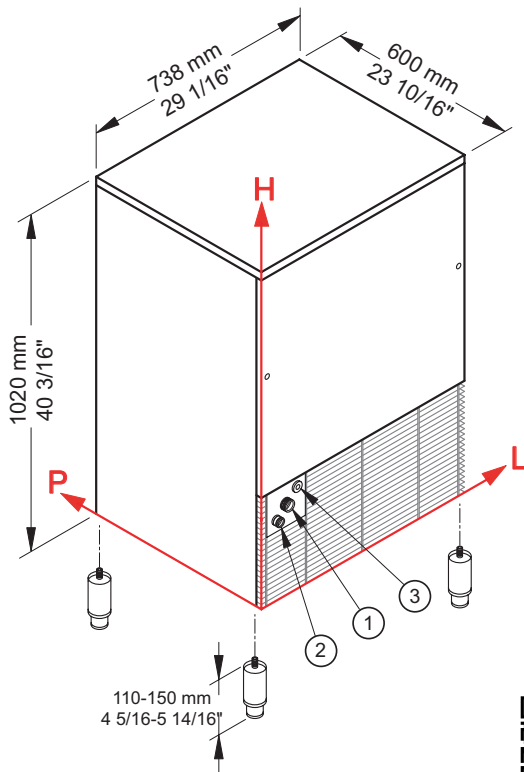




Ice Cube

CB 955

Self-contained ice maker - Sprayer system
Daily production up to 98 kg



► **Working conditions**

- Location: **Indoor**

	Min	Max
Ambient temperature	+10° C / +50° F	+43° C / 110° F
Water temperature	+3° C / +37° F	+32° C / +90° F
Voltage	-10%	+10%
Water inlet pressure	1bar (14 psi)	6bar (84 psi)

► **Performances**

	Air temperature	Water temperature	Water temperature					
			7° C	45° F	15° C	60° F	21° C	70° F
	10° C	98 kg						
	50° F	216 lbs						
	21° C		95 kg					
	70° F			209 lbs				
	32° C				85 kg			
	90° F					187 lbs		

► **Connections**

All measures are referred to the rear bottom-left corner (L-H-Ø)

- ① Water in.: 116 mm / 4 9/16" - 285 mm / 11 4/16" - 3/4" ② Water out.: 54 mm / 2 2/16" - 245 mm / 9 10/16" - 24 mm / 15/16"
 ③ Electrical connections: 161 mm / 6 5/16" - 321 mm / 12 10/16"

► **Technical information**

Production in 24h	95 kg / 209 lbs	Water consumption	A: 2,5 l/kg - 29,9 gal/100 lbs
Store capacity, up to	55 kg / 121 lbs		W: 14,2 l/kg - 170,2 gal/100 lbs
Cooling system	A - W	Sizes (L-P-H mm)	738 - 600 - 1020
Kind of cube	A-18g, C-33g, D-13g, E-42g	(L-P-H in)	29 1/16 - 23 10/16 - 40 3/16
Refrigerant	R404A - R452A	Sizes with pack (L-P-H mm)	780 - 640 - 1185
Standard voltage	220-240 V ~ 50 Hz	(L-P-H in)	30 11/16 - 25 3/16 - 46 10/16
Average power consumption	850 W	Net weight	89 kg / 196 lbs
Fuse	10 A	Gross weight	102 kg / 225 lbs
Finish	AISI 304 stainless steel, scotch brite		

All the technical information need to be considered at the following conditions:

Standard Cube (18 g)
 Ambient temperature +21° C
 Water temperature +15° C
 Average power consumption at +43° C (standard voltage)
 Refrigerant R404A

Models and specifications are subject to change without notice

Rev. 03 - Issued May 2018



www.bremaice.it
info@bremaice.it

