



## Self-contained ice maker - Sprayer system Daily production up to 82 kg

|               |                      |
|---------------|----------------------|
| Hotel         | ████████████████████ |
| Restaurant    | ████████████████████ |
| Fast food     | ████████████████████ |
| Bar           | ████████████████████ |
| Disco         | ████████████████████ |
| Fish market   | ████████████████████ |
| Supermarket   | ████████████████████ |
| Medical & SPA | ████████████████████ |
| Industry      | ████████████████████ |

### ► Position n°



### ► Features & Plus

- Compact and crystal cube
- AISI 304 SS Scotch Brite finish
- Tropical class +43°C
- Adjustable Stainless Steel feet
- Removable and cleanable air filter
- Air or water cooling system
- Easy cleanable internal rounded surfaces
- HCFC-Free insulated storage
- RoHS Free
- Disappearing insulated door
- Electromechanical operation
- ON-OFF rocker switch
- Standard and special voltages
- HFC Free



AISI 304 SS Scotch Brite finish



Adjustable Stainless Steel feet

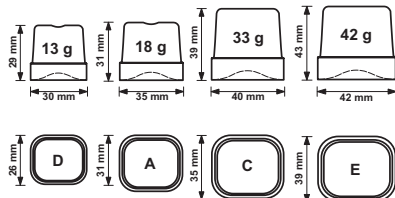


Removable and cleanable air filter



Disappearing insulated door

### ► Available ice cube size



### ► Prod. 24h

| Air temp.     | Water temp.   | kg            | lbs          |
|---------------|---------------|---------------|--------------|
|               |               | 10° C / 50° F | 7° C / 45° F |
| 21° C / 70° F | 15° C / 60° F | 80            | 176          |

**2 Years Warranty**  
subject to limitations

### ► Certifications available for this model



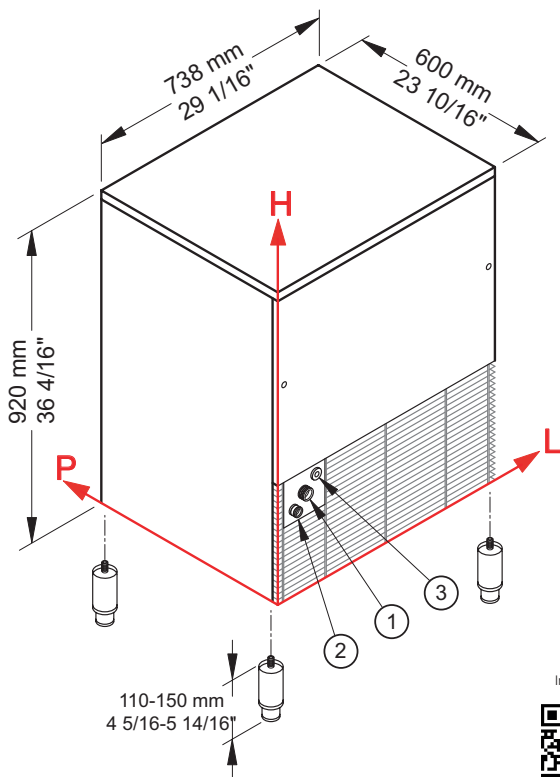


Ice Cube

# CB 840 HC



## Self-contained ice maker - Sprayer system Daily production up to 82 kg



### ► Working conditions

- Location: **Indoor**

|                      | Min             | Max             |
|----------------------|-----------------|-----------------|
| Ambient temperature  | +10° C / +50° F | +43° C / 110° F |
| Water temperature    | +3° C / +37° F  | +32° C / +90° F |
| Voltage              | -10%            | +10%            |
| Water inlet pressure | 1bar (14 psi)   | 6bar (84 psi)   |

### ► Performances

|  | Air temperature | Water temperature |         |       |         |       |         |
|--|-----------------|-------------------|---------|-------|---------|-------|---------|
|  |                 | 7° C              | 45° F   | 15° C | 60° F   | 21° C | 70° F   |
|  | 10° C           | 82 kg             |         |       |         |       |         |
|  | 50° F           |                   | 181 lbs |       |         |       |         |
|  | 21° C           |                   |         | 80 kg |         |       |         |
|  | 70° F           |                   |         |       | 176 lbs |       |         |
|  | 32° C           |                   |         |       |         | 68 kg |         |
|  | 90° F           |                   |         |       |         |       | 150 lbs |

### ► Connections

All measures are referred to the rear bottom-left corner (L-H-Ø)

- ① Water in.: 116 mm / 4 9/16" - 285 mm / 11 4/16" - 3/4"      ② Water out.: 54 mm / 2 2/16" - 245 mm / 9 10/16" - 24 mm / 15/16"  
 ③ Electrical connections: 161 mm / 6 5/16" - 321 mm / 12 10/16"

### ► Technical information

|                           |                            |                            |                                        |
|---------------------------|----------------------------|----------------------------|----------------------------------------|
| Production in 24h         | 80 kg / 176 lbs            | Water consumption          | A: 2 l/kg - 24 gal/100 lbs             |
| Store capacity, up to     | 40 kg / 88 lbs             |                            | W: 13 l/kg - 156 gal/100 lbs           |
| Cooling system            | A - W                      | Sizes (L-P-H mm)           | 738 - 600 - 920                        |
| Kind of cube              | A-18g, C-33g, D-13g, E-42g | (L-P-H in)                 | 29 1/16 - 23 10/16 - 36 4/16           |
| Refrigerant               | R290                       | Sizes with pack (L-P-H mm) | 780 - 640 - 1085                       |
| Standard voltage          | 220-240 V ~ 50 Hz          | (L-P-H in)                 | 30 11/16 - 25 3/16 - 42 11/16          |
| Average power consumption | 700 W                      | Net weight                 | 86 kg / 190 lbs                        |
| Fuse                      | 10 A                       | Gross weight               | 98 kg / 216 lbs                        |
| Electrical consumption    | 22 kWh/100kg               | Finish                     | AISI 304 stainless steel, scotch brite |

All the technical information must be considered at the following conditions:

- Sizes without feet
- Standard Cube (18 g)
- Ambient temperature +21° C
- Water temperature +15° C
- Electrical consumption at +32° C (standard voltage)
- Average power consumption at +43° C (standard voltage)

Models and specifications are subject to change without notice

Rev. 03. - Issued April 2018



[www.bremaice.it](http://www.bremaice.it)  
[info@bremaice.it](mailto:info@bremaice.it)

Bim + Data  
 download

