

High quality components ...



... in an industrial design.

## Main characteristics

- Capacity: 10000 kg/24 h flake ice chipped type
- Ideal ice temperature of -0,5 °C  
Macrolce, StandardIce or Microlce
- Designed for continuous operation -  
24 hours - 7 days a week
- Hygienic Design: Closed watersystem -  
protected against contamination by external influences
- Environmental friendly technology -  
No moving parts in the refrigeration circuit of the  
evaporator-  
no refrigerant leakage



Macrolce

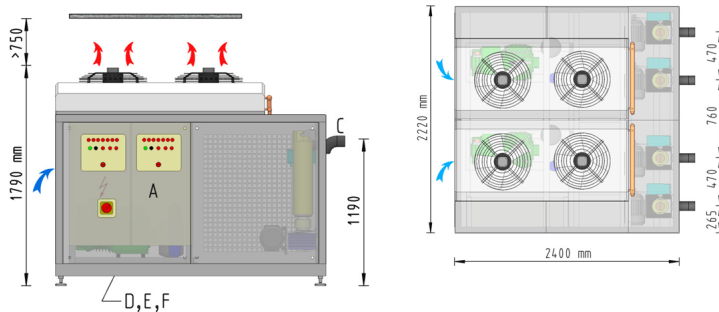


StandardIce



Microlce

## Dimensions and connections



- A control panel
- C ice discharge
- D electr. connection
- E water supply
- F water drain

provided by customer:  
water filter  
stop cock  
electr. protection  
waste water connection  
(contactless)

## Technical Data

	UBE 10.000 20°C	UBE 10.000 35°C
10000 kg/24 h nominal capacity at	20 °C air temperature and 15 °C water temperature	35 °C air temperature and 25 °C water temperature
frame dimensions (L x W x H)	240 cm x 222 cm x 171 cm	240 cm x 222 cm x 181 cm
weight	2200 kg	2200 kg
frame and cover panels	powder coated	powder coated
ice discharge	see specification "ice discharges"	see specification "ice discharges"
electricity		
power consumption	32 kW	40 kW
current consumption	62 A	84 A
provided by customer		
electric supply	3/N/PE ~ 400V 50Hz	3/N/PE ~ 400V 50Hz
fuse, slow-blow	125 A	125 A
cable cross section, Cu	35 mm <sup>2</sup>	35 mm <sup>2</sup>
water		
supply / drain	3/4 " / 14 mm	3/4 " / 14 mm
provided by customer		
pressure	2 - 5 bar	2 - 5 bar
quality	drinking water	drinking water
pH-value	7,2 - 9,5 pH	7,2 - 9,5 pH
hardness	6 - 14 °dH	6 - 14 °dH
temperature	100 - 250 mg CaCO <sub>3</sub> /l 5 °C - 30 °C	100 - 250 mg CaCO <sub>3</sub> /l 5 °C - 30 °C
ambient temperature	5 °C - 42 °C	5 °C - 45 °C
condenser		
air flow	air cooled 21500 m <sup>3</sup> /h	air cooled 38000 m <sup>3</sup> /h
heat emission	75 kW	49 kW
refrigerant R452A / R404A	20 kg	25 kg
compressor		
refrigerating capacity	semi-hermetic 66 J Twin Bitzer 50 kW	semi-hermetic 66 G Twin Bitzer 55 kW
evaporation temperature	-32 °C	-31 °C
condensation temperature	33 °C	45 °C
noise level	78 dBA (3 m)	79 dBA (3 m)

Subject to technical modifications. In case of deviations please contact us.

## Scope of supply

The ZIEGRA ice machine will be delivered according to CE standards and ready for connection to water and electricity.

### ZIEGRA quality and reliability

- HygienePlus: automatic water drain for additional hygiene
- Condensation control in order to keep an equally high ice quality
- 3 min. overrun to use the re-evaporation after switch-off
- Phase sequence relay
- Overload cut-out / thermal switch for all motors and the compressor
- High / Low pressure control
- Water level monitoring
- Ice discharge hose or discharge tube, according to requirements.
- Switch-off by light scanner or light barrier when ice bin or recipient is full.
- For a wide range of accessories such as storage bins, or water treatment see separate list "options and accessories"

## Options

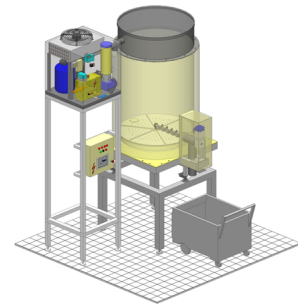
- Ice discharges in various designs, e.g. to produce
  - into a storage bin, or
  - into an ice trolley or similar
- Condenser either blowing upwards or sideways
- Split installation, e.g. condenser, refrigeration unit or both in remote version
- For connection to cooling water
- Low-noise condenser (only for remote installation)
- Ice maker only
  - for separate refrigeration unit
  - for central refrigeration system
- Stainless steel frame or cabinet, or without cabinet
- Special voltage



Ice maker with control system and stainless steel cabinet....

## Accessories

- Ice storage bins in various sizes and designs, suitable for integration into automated processes e.g. AS, S for automatic or manual dosing
- HygienePlus: flushing system or flushing incl. disinfection
- Triple Filter reduces lime scale and impurities
- UV sterilization
- ZIEGRA water softening: available for very hard water and large flow rates
- Support, wall brackets, or similar
- Melt water pump, leak water sensor and leak water tray
- Freeze protection
- additional separate operating switch
- timer for 7 days
- protection against overvoltage and undervoltage
- Spare parts available for minimum for 15 years
- Global sales and service.



Silo AS 500 with ice machine



ZIEGRA water softener in cases of highly calciferous drinking water

Technical details: please see respective machine specification. With pleasure we submit to you any further information, also regarding your special requirements